

DIGITAL ADVANTAGE™

MEDIUM AND LONG RANGE TV ANTENNAS
HD DIGITAL / UHF / VHF HIGH

HIGH-DEFINITION TELEVISION
HDTV



2020

Best for
LONG RANGE

Up to
60
Miles



2016

Best for
MEDIUM RANGE

Up to
35
Miles



2018

Best for
LONG RANGE

Up to
45-60
Miles

WARNING: Installation of this product near power lines is DANGEROUS! For your safety, read the enclosed "DANGER" booklet before beginning your installation.

INSTALLATION TIPS

A. USEFUL INSTALLATION TOOLS

- Large and small blade screwdrivers
- Adjustable Wrench
- Wire Cutters
- Pliers

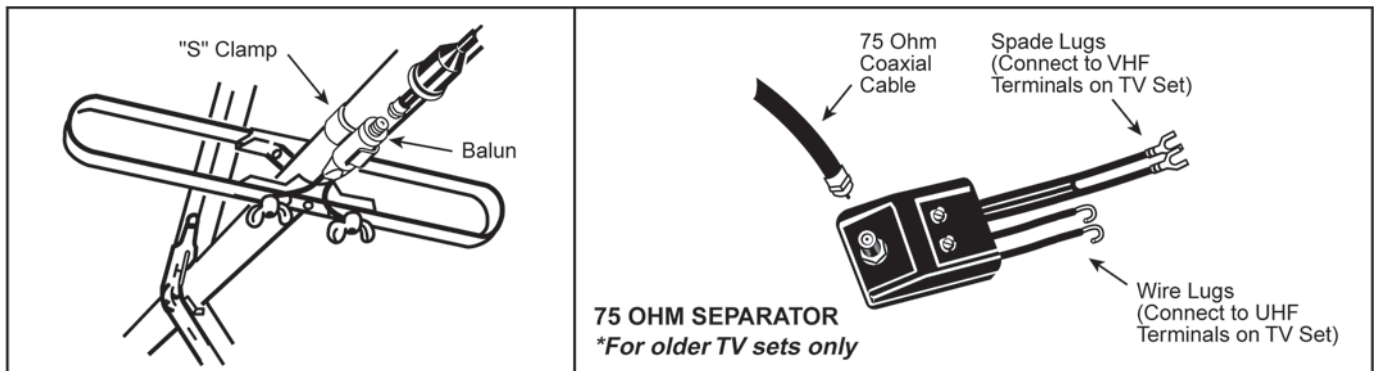
B. WHERE TO MOUNT YOUR ANTENNA

Your antenna can be mounted on either the chimney, the roof or on an outside wall or in an attic. Choose the method that best suits your particular location.

its base, down to a 8' ground rod. Keep the line at a respectable distance from your transmission wire to prevent signal interference. A coaxial grounding block (Channel Master Model 3274), should be connected to the antenna transmission wire at the point where it enters the house.

E. AIMING YOUR ANTENNA TOWARD THE TRANSMITTING STATION

Once the antenna installation is completed, turn your TV set on and have an assistant observe the reception. On the roof, loosen the U-bolt nuts and turn the antenna until you get the best reception. Once this is accomplished, tighten U-bolts nuts securely,



C. TRANSMISSION LINE

75 Ohm coaxial cable has a longer life-span than 300 Ohm twinlead cable and is unaffected by contact with metal or moisture. To install coaxial cable, begin by connecting the antenna end of the cable to the antenna balun (supplied with antenna). Attach the input wires of the balun to the antenna terminals, Next, run the coaxial cable through a standoff mounted on the mast. This will prevent the weight of the line from pulling on the antenna connections.

D. LIGHTNING PROTECTION

The mast and transmission line should be grounded for lightning protection. Run a #8 (or larger), aluminum or copper wire from a bolt on the mast or

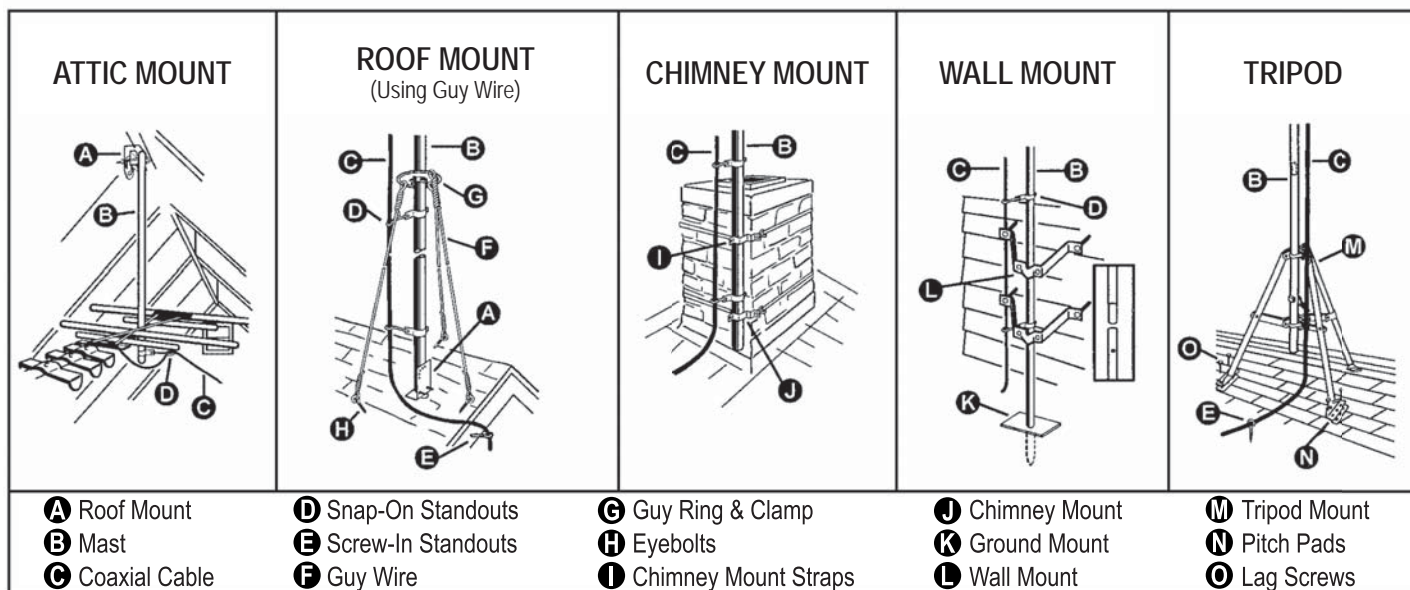
NOTE: If broadcast stations are in different directions, you will need an antenna rotator. This will allow you to rotate the antenna and pinpoint individual stations from inside your home. (For more information on rotators, visit www.channelmaster.com.)

Find the installation you plan to make on the following pages - **READ THE INSTRUCTIONS FOR ASSEMBLING THE ANTENNA AND THE INSTALLATION BEFORE YOU START THE ACTUAL WORK!**

Visit your local retailer or our website for available mounts and accessories you'll need for your installation.

From this point, the rest of the coax may be taped to the mast.

INSTALLATION LOCATIONS



IMPORTANT SAFEGUARDS

- Remember, when working on a roof, use two adults.
- Never walk on a composition roof in cold weather.
- Wear sneakers or crepe soles, and use a safety rope.
- Always watch for power lines.

A. ATTIC MOUNT

Using a roof mount, attach a short piece of mast to a convenient roof rafter. Attach and aim the antenna in the same manner as outlined for outdoor installations.

NOTE: Antennas should not be installed in an attic if the roof or walls are metal or are lined with foil backed insulation.

B. ROOF MOUNT

Used on peaked or flat roofs.

Suggested Height Limit: 10 feet above roof top.

Using a roof mount, connect the mast with guy ring and guy wires attached, to the mount. Use three or four guy wires, equally spaced around the mast, and anchor the guy wires to the roof or eaves with eyebolts. The guy ring should be clamped approximately one (1) foot below the antenna. Use roofing compound around the base of the mount, screws and eyebolts to seal against moisture. After the installation has been completed, mount the extra **WARNING LABEL** supplied with the antenna hardware to the mast at **EYE LEVEL!**

C. CHIMNEY MOUNTING

Suggested Height Limit: 10 feet above rooftop.

First, check your chimney thoroughly for stability to make sure that it is strong enough to support the antenna during severe winds. Do not use a chimney that has loose bricks or mortar. Install the upper bracket just below the top course of bricks and the lower bracket at least 2 1/2 feet below the top bracket. (For maximum strength, space the brackets as far apart as possible.) After the installation has been completed, mount the extra **WARNING LABEL** supplied with the antenna hardware to the mast at **EYE LEVEL!**

D. WALL MOUNT

Suggested Height Limit: 10 feet above rooftop.

If the roof overhang is not excessive, the side of the house can be used for mounting. If a wall mounted installation is done from the ground up, use a ground mount with a "spike" at the ground. Position the wall brackets over a stud if possible; one above the other and space a minimum of three feet (3) apart. For metal siding, mark mounting holes, then drill pilot holes through the siding for mounting screws. If you use a 2-piece mast, assemble the pieces as shown, making sure that they are properly locked together. Split between masts should be between the two (2) wall brackets. After the installation has been completed, mount the extra **WARNING LABEL** supplied with the antenna hardware to the mast at **EYE LEVEL!**

E. TRIPOD MOUNT

Use on peaked or flat roofs.

Suggested Height Limit: 10 feet above roof top.

The tripod mount can be mounted to any style roof by adjusting the bracket on the center leg. Insert the mast into the tripod mount and place the mount with legs over the roof rafters. Make sure the mast is vertical. Remove the protective covering from one side of the three (3) pitch pads and place under the base of each tripod leg with the tacky side towards the roof. Secure the tripod mount to the roof using lag screws. After the installation has been completed, mount the extra **WARNING LABEL** supplied with the antenna hardware to the mast at **EYE LEVEL!**

F. ANTENNA REMOVAL

Removal of your antenna should be exactly in reverse of the installation instructions. For your own safety, please follow the instructions for installing the antenna starting with the last step first. This is the only way to safely remove your antenna.

ANTENNA ASSEMBLY

1. Carefully unfold the antenna elements and snap them into place. (See Figs. 1 & 2)
2. For **Models 2018 & 2020**: Connect the antenna sections together. (See Fig. 3)
3. Using the provided wing nuts, attach the rods that are riveted to the rear section to the studs above the dipole on the front section.

Model 2016: Connect as shown in Fig. 6.

Models 2018 & 2020: Attach the matching transformer to the screw terminals not used to attach the connection rods. (See Figs. 4 & 5)

4. Mount the antenna to the pole. (See Figs. 7 & 8)

Model 2020: This model has 2 sets of hardware.

5. To align the antenna, point the narrow end of the antenna towards the transmitter location and adjust for best picture quality or signal strength.

Fig. 1

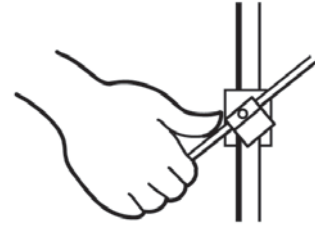


Fig. 2

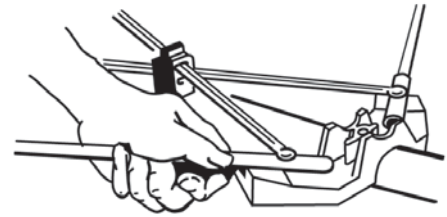


Fig. 3

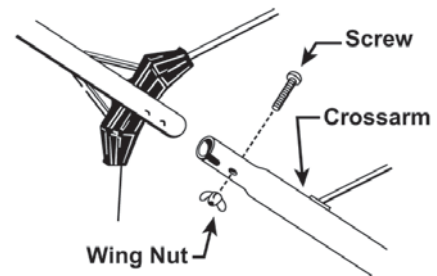


Fig. 4



Models 2018 & 2020 - Bottom of Antenna

Fig. 5



Models 2018 & 2020 - Top of Antenna

Fig. 6

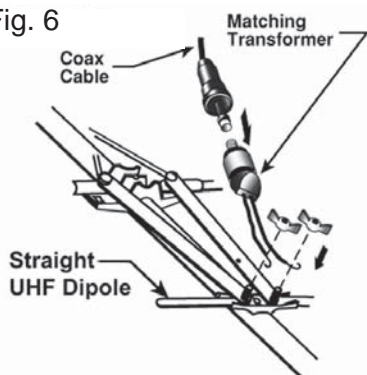


Fig. 7

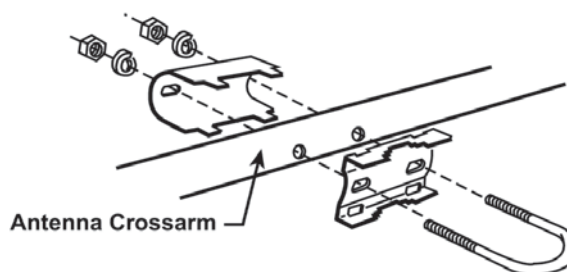


Fig. 8

